

PAGE

PIN ASSIGNMENT OF SLAVE REMOTE CONNECTORS A AND B

SLAVE REMOTE CONNECTOR A :

| PIN | SIGNAL NAME | FUNCTION | SIGNALTYPE |
|-----|-------------|---------------------------|------------|
| 1 | GND | 0.0V | |
| 2 | | | |
| 3 | R | Biphase R | TTL |
| 4 | GND | 0.0V | |
| 5 | | | |
| 6 | | | |
| 7 | | | |
| 8 | ERR | Error in | switch in |
| 9 | | | |
| 10 | | | |
| 11 | | | |
| 12 | SYNC | rem. indic. SYNC | switch in |
| 13 | PLYA | rem. indic. play achieved | Switch in |
| 14 | | | |
| 15 | | | |
| 16 | S | Biphase S | TTL |
| 17 | +5V | Remote power on | |
| 18 | | | |
| 19 | | | |
| 20 | | | |
| 21 | | | |
| 22 | | | |
| 23 | | | |
| 24 | | | |
| 25 | | | |

OC.OUT = output with
external pull-
up resistor
(+28V max.)

SWITCH IN = open collector or
switch driving to
ground

PAGE

PIN ASSIGNMENT OF SLAVE REMOTE CONNECTORS A AND B

SLAVE REMOTE CONNECTOR B :

| PIN | SIGNAL NAME | FUNCTION | SIGNALTYPE |
|-----|-------------|----------------------|------------|
| 1 | 0.0 V | GND Synchronizer | |
| 2 | RECEN | Record enable signal | SWITCH IN |
| 3 | AUX | | |
| 4 | AUX | | |
| 5 | | | |
| 6 | REL 1 | Relais contact 1 | |
| 7 | REL 2 | Relais contact 2 | |
| 8 | | | |
| 9 | | | |
| 10 | | | |
| 11 | | | |
| 12 | | | |
| 13 | | | |
| 14 | | | |
| 15 | REC | record out | OC.OUT |
| 16 | | | |
| 17 | | | |
| 18 | | | |
| 19 | | | |
| 20 | | | |
| 21 | | | |
| 22 | | | |
| 23 | | | |
| 24 | | | |
| 25 | +5V | Power | |

OC.OUT = output with
external pull-
up resistor
(+28V max.)

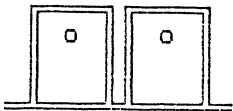
SWITCH IN = open collector or
switch driving to
ground

PAGE

STATUS DISPLAYS ON THE INTERFACE

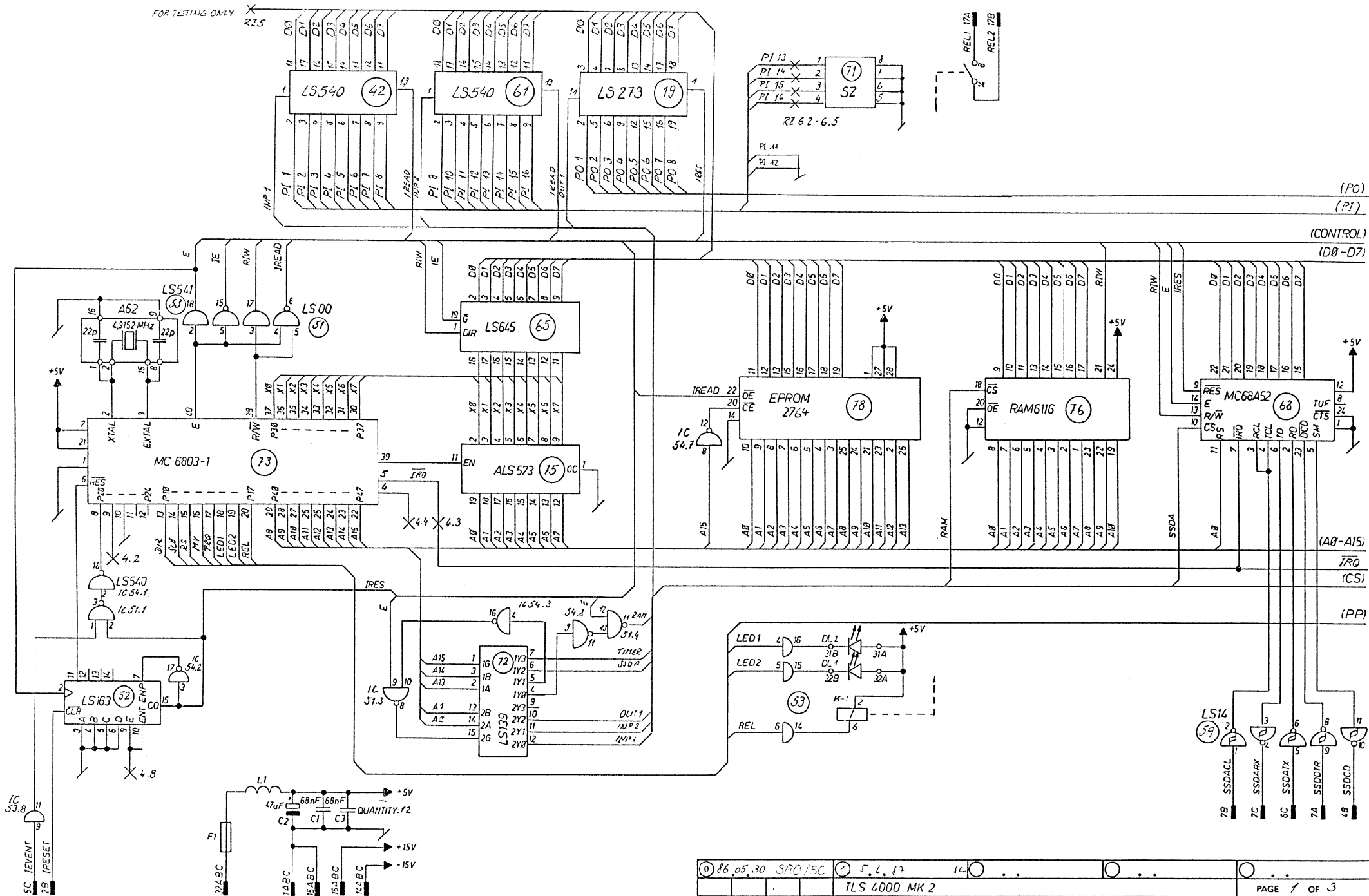
The two LED's on the interface PCB serve as status indicators and for diagnosing possible problems.

DL1 DL2



- | | | |
|---|---|---|
| | | after initialisation |
| - | - | no ERROR |
| - | * | EPROM error |
| * | - | RAM error |
| * | * | SSDA error (serial I/O) defectiv |
| | | during operation |
| - | - | no error |
| - | * | <i>play not achieved</i> |
| * | - | no communication between interface and machine |
| * | * | no communication between interface and synchronizer board |

FOR TESTING ONLY X



| | | | | | | | | | |
|----------------------|----------|---------------|----|--------------|---|-------------|---|---|---|
| ① 86.05.30 SPO/SC | ② 5.6.87 | ③ | ④ | ⑤ | ⑥ | ⑦ | ⑧ | ⑨ | ⑩ |
| STUDER | | TLS 4000 MK 2 | | | | PAGE 1 OF 3 | | | |
| INTERFACE SONDOR OMA | | ESE | SC | 1.812.418.20 | | | | | |

(CONTROL)

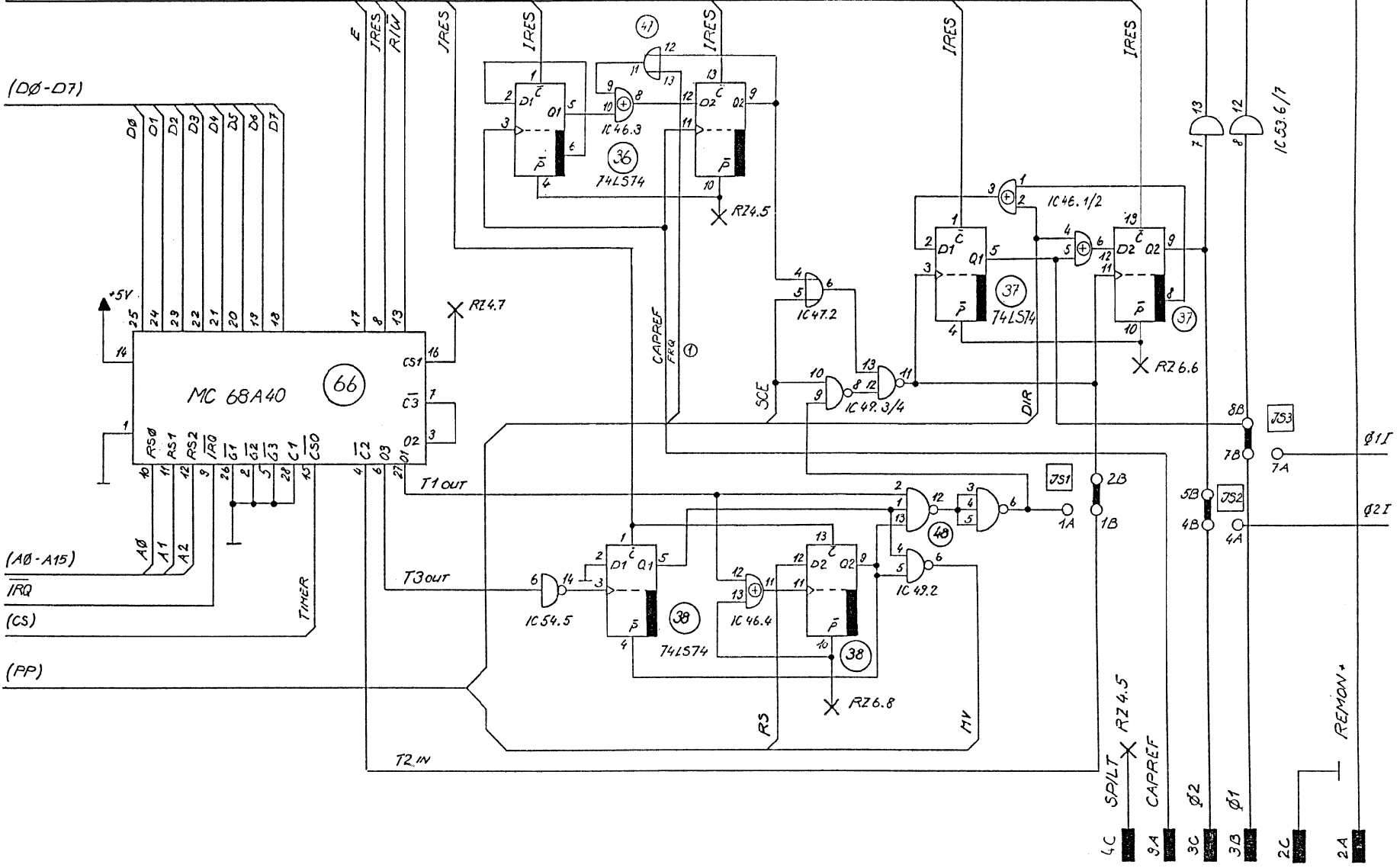
(D0-D7)

(A0-A15)

/RQ

(CS)

(PP)



086 0.5.30 SRD / SC 1 5.6.87

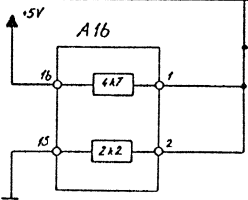
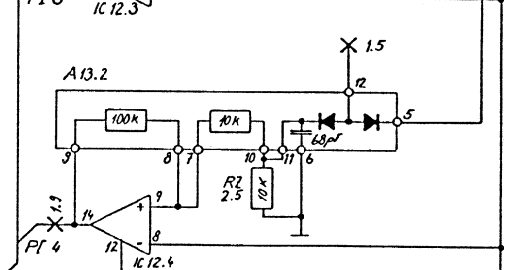
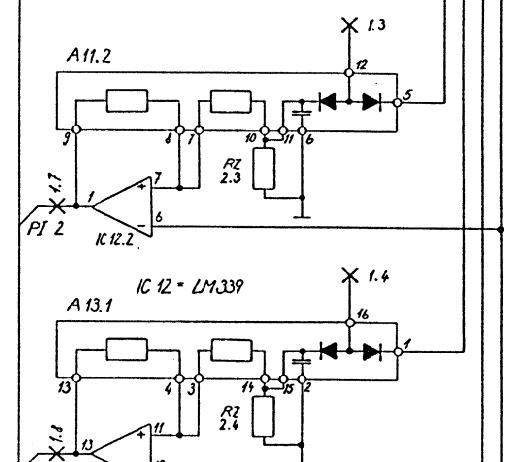
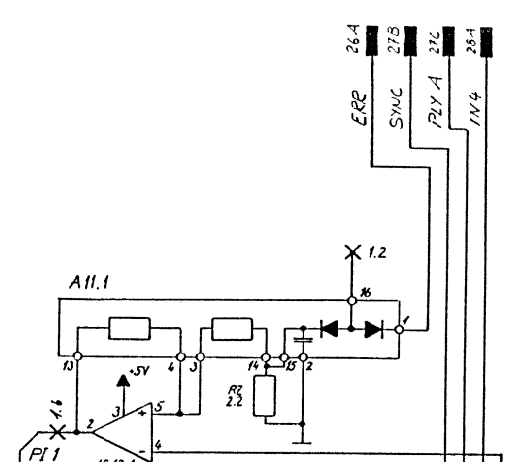
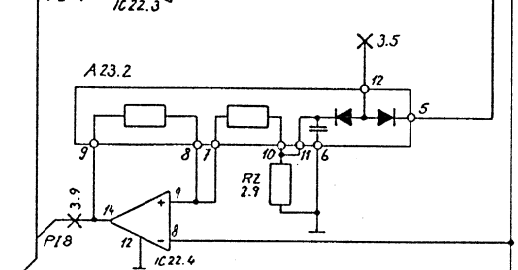
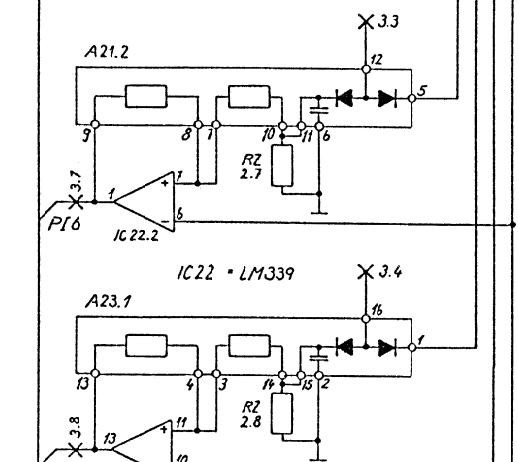
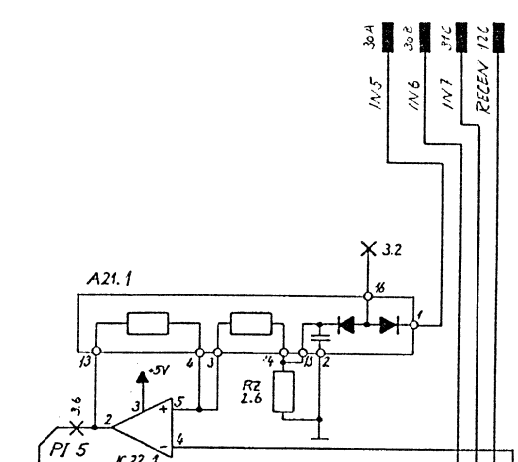
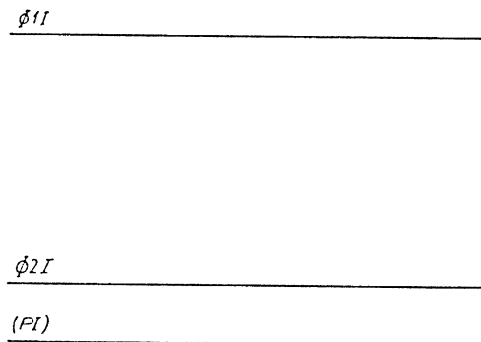
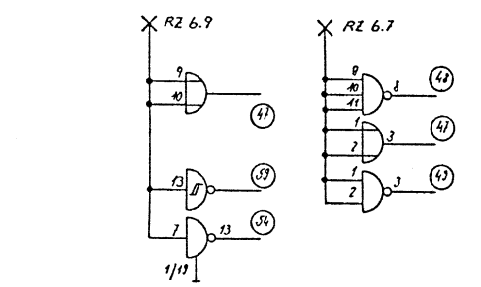
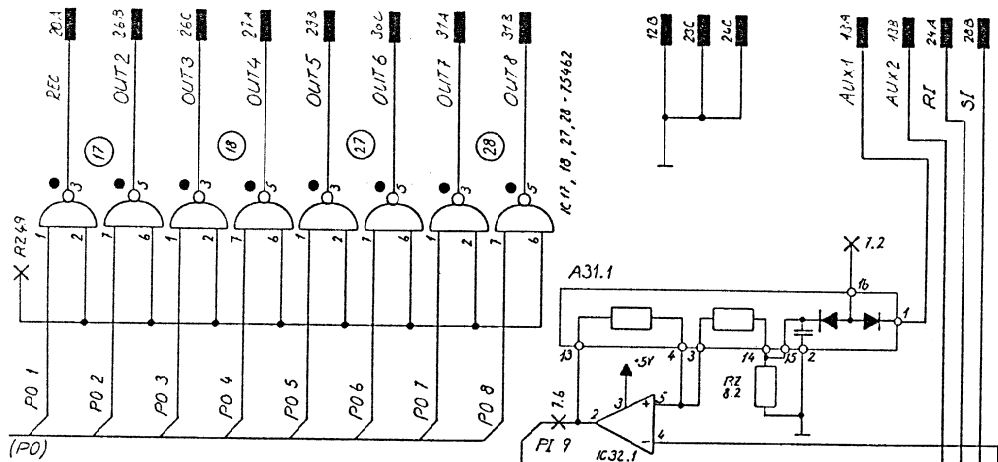
TLS 4000 MK2

INTERFACE SONDOR OMA

PAGE 2 OF 3

STUDER

SC 1.812.418.20



| IND. | POS.NO. | PART NO. | VALUE | SPECIFICATIONS / EQUIVALENT | MANUF. |
|---------|---------|--------------|-------|-----------------------------|--------------|
| A....11 | | 1.812.208.00 | | Assembly 406-11 | St |
| A....13 | | 1.812.208.00 | | Assembly 406-11 | St |
| A....16 | | 1.812.217.00 | | Assembly 416-16 | St |
| A....21 | | 1.812.208.00 | | Assembly 406-11 | St |
| A....23 | | 1.812.208.00 | | Assembly 406-11 | St |
| A....31 | | 1.812.208.00 | | Assembly 406-11 | St |
| A....33 | | 1.812.208.00 | | Assembly 406-11 | St |
| A....62 | | 1.812.201.00 | | Assembly 120-52 | St |
| C....C1 | | 59.99.0205 | 68 N | -20%, 63V , KER | |
| C....02 | | 59.25.3470 | 47 U | -20%, 16V , EL | |
| C....03 | | 59.99.1200 | .068U | 20%, 63V , PE | Quantity: 12 |
| DL...01 | | 50.04.2107 | | Red ; 555-2007 | |
| DL...C2 | | 50.04.2107 | | Red ; 555-2007 | |
| IC...12 | | 50.11.0104 | | LM 339 N | |
| IC...17 | | 50.05.0227 | | SN 75 472 P, SN 75 462 JG, | |
| IC...18 | | 50.05.0227 | | SN 75 472 P, SN 75 462 JG, | |
| IC...19 | | 50.06.0273 | | SN 74 LS 273 N | |
| IC...22 | | 50.11.0104 | | LM 339 N | |
| IC...27 | | 50.05.0227 | | SN 75 472 P, SN 75 462 JG, | |
| IC...28 | | 50.05.0227 | | SN 75 472 P, SN 75 462 JG, | |
| IC...32 | | 50.11.0104 | | LM 339 N | |
| IC...36 | | 50.06.0074 | | SN 74 LS 74 N | |
| IC...37 | | 50.06.0074 | | SN 74 LS 74 N | |
| IC...38 | | 50.06.0074 | | SN 74 LS 74 N | |
| IC...42 | | 50.06.0540 | | SN 74 LS 540 N | |
| IC...46 | | 50.06.0086 | | SN 74 LS 86 N | |
| IC...47 | | 50.06.0032 | | SN 74 LS 32 N | |
| IC...48 | | 50.06.0010 | | SN 74 LS 10 N | |
| IC...49 | | 50.06.0000 | | SN 74 LS 00 N | |
| IC...51 | | 50.06.0000 | | SN 74 LS 00 N | |
| IC...52 | | 50.06.0163 | | SN 74 LS 163 AN | |
| IC...53 | | 50.06.0541 | | SN 74 LS 541 N | |
| IC...54 | | 50.06.0540 | | SN 74 LS 540 N | |
| IC...59 | | 50.06.0014 | | SN 74 LS 14 N | |

| IND. | PGS.NO. | PART NO. | VALUE | SPECIFICATIONS / EQUIVALENT | MANUF. |
|------|---------|------------|------------|---------------------------------|-----------------|
| | | IC...61 | 50.06.0540 | SN 74 LS 540 N | |
| | | IC...65 | 50.06.0645 | SN 74 LS 645 N | |
| | | IC...66 | 50.16.0113 | MC68 A40 HD68 A40, | ,A Mot,Hi |
| | | IC...68 | 50.16.0114 | MC68 A52 HD68 A52, S68A52 | ,A Mot,Hi,AMI |
| | | IC...72 | 50.06.0139 | SN 74 LS 139 N | |
| | | IC...73 | 50.16.0107 | MC 6803P-1, HD 6803P-1 | ,A Mot,Hi |
| | | IC...75 | 50.06.1573 | SN 74 ALS 573 N, | TI |
| | | IC...76 | 50.14.0107 | HM 6116 LP-4,MSM 5128-15 | ,A Hi,OKI |
| | | IC...78 | 50.14.0113 | see Note D 2764-3 HN 482764 G-3 | ,A It,Hi,TI,SGS |
| (01) | JS...01 | 54.01.0021 | | Jumper | |
| (01) | JS...02 | 54.01.0021 | | Jumper | |
| (01) | JS...03 | 54.01.0021 | | Jumper | |
| | K....41 | 56.02.1003 | 5 V 1*A | 100V/0.5A, Print | |
| | L....01 | 62.01.0115 | | Wide Band HF-Choke | |
| | RZ...01 | 57.88.4332 | 8*3.3K | 5%, Single Line | |
| | RZ...02 | 57.88.4103 | 8*10K | 5%, Single Line | |
| | RZ...03 | 57.88.4332 | 8*3.3K | 5%, Single Line | |
| | RZ...04 | 57.88.4332 | 8*3.3K | 5%, Single Line | |
| | RZ...06 | 57.88.4332 | 8*3.3K | 5%, Single Line | |
| | RZ...07 | 57.88.4332 | 8*3.3K | 5%, Single Line | |
| | RZ...08 | 57.88.4103 | 8*10K | 5%, Single Line | |
| | SZ...71 | 55.01.0164 | | 4*A, DIL | |

| INC. | POS.NO. | PART NO. | VALUE | SPECIFICATIONS / EQUIVALENT | MANUF. |
|------|---------|----------|-------|-----------------------------|--------|
|------|---------|----------|-------|-----------------------------|--------|

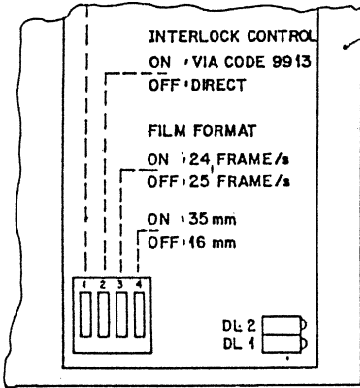
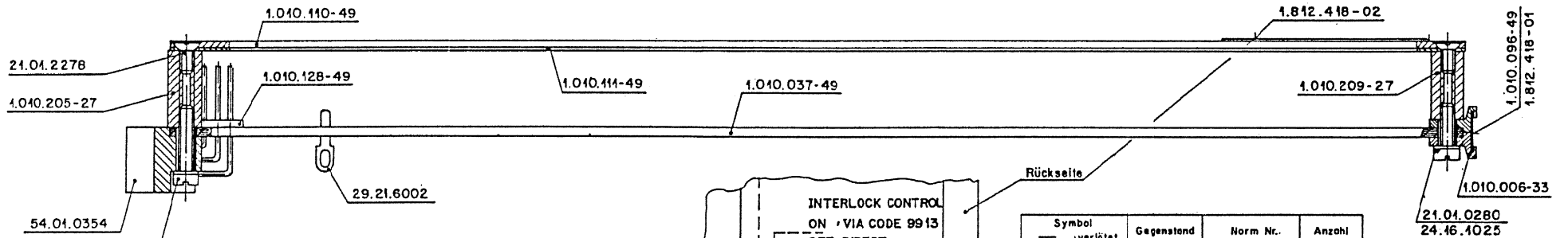
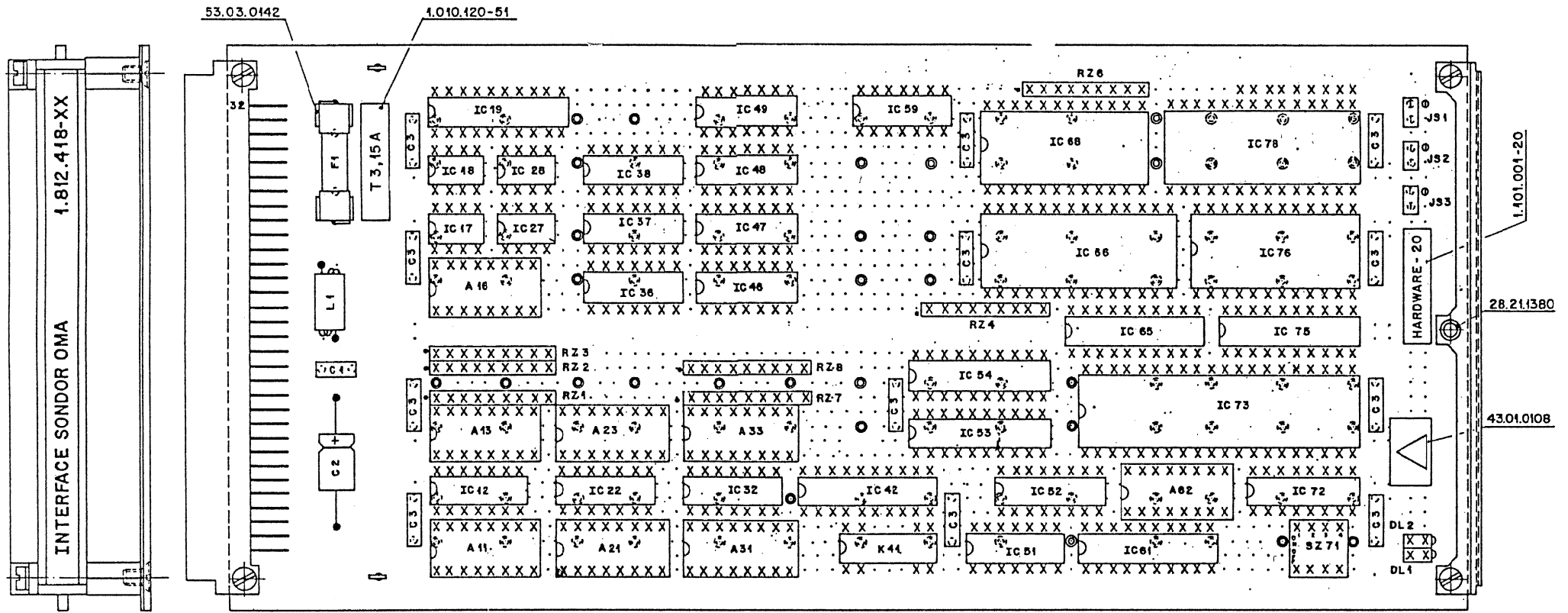
Note : Software release 1.812.960.20 (IC 78)

CER = Ceramic, EL = Electrolytic, MPETP = Met. Polyester

MANUFACTURERS : TI=Texas Instrument, St=Studer, Mot=Motorola
Hi=Hitachi, It=Intel, OKI=OKI Semiconductor
AMI=American Microsystem Inc.,SGS=SGS/Ates

ORIG 86/05/30 (01) 86/08/21

S T U D E R (01) 86/08/21 SC INTERFACE SONDOR OMA 1.812.418.20 PAGE 3



| Symbol | verlötet | Gegenstand | Norm Nr. | Anzahl |
|--------|----------|-------------|--------------|--------|
| ⊙ | ⊙ | Front Pin | 1.010.027-54 | 9 |
| γ | ○ | Kontakt Pin | 1.010.028-54 | 736 |
| ○ | ⊙ | Dummy Pin | 1.010.029-54 | 412 |

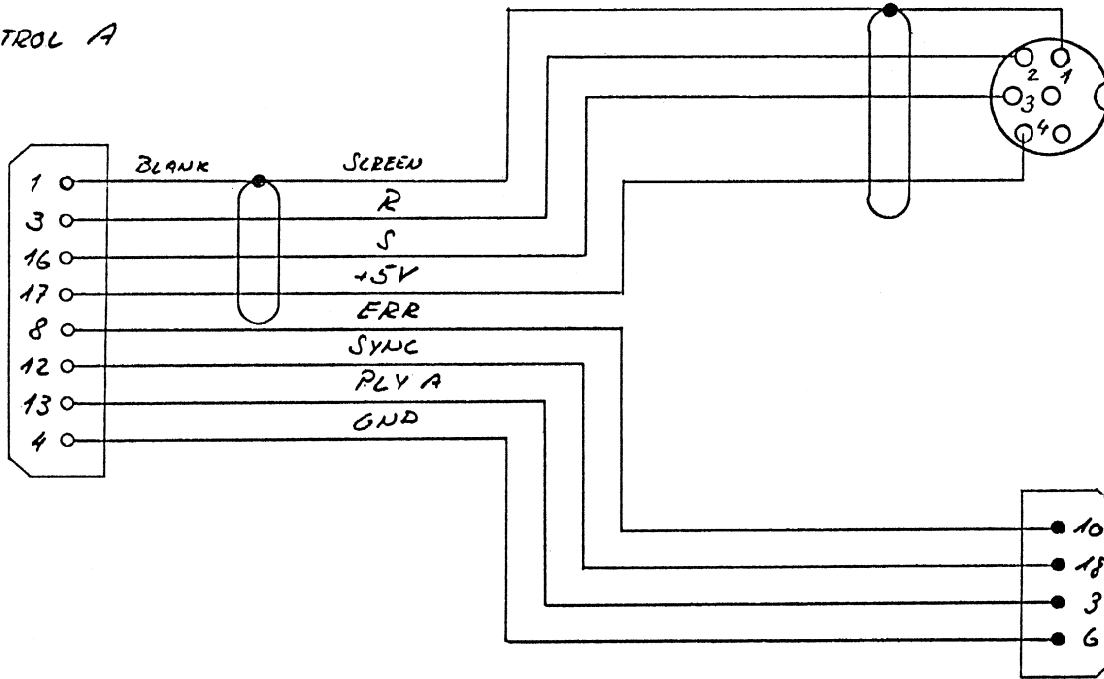
| | | | | | |
|---------------------------|-------------------|--------------------------|------------|------------------|---|
| Werkstoff: | Norm-Nr.: | DIN-Bez.: | Abmessung: | Ordnung: | ① |
| | | | | | ② |
| | | | | | ③ |
| Zugehörige Unterlagen: | Freiassstoleranz: | Maßstab: | Ausgabe: | 27.8.86 A.Ho S&O | ④ |
| PL | | 2:1 | Datum: | Gez. Gmpr I.Des | |
| Ersatz für: | Ersetzt durch: | Kopie für: | | | |
| ST JOER REGINSBORF ZÜRICH | Benennung: | INTERFACE SONDOR OMA ESE | Nummer: | 1.812.418-20 | |

SLAVE MASCHINE
 SONDOR OMA

TLS 4000
 SLAVE CONTROL A

25 POL DELTA
 KUPPLUNG

P1



6 POL DIN KUPPLUNG

P2

25 POL DELTA STECKER

P3

